

TECHNICAL BULLETIN

TB-029 • October 2002

**NO-SLACK® (5092) & NO-SLACK® II (6000/7000)
LUBRICATION PRESERVICE PROCEDURE**

1. Tilt the top plate forward (front of the fifth wheel down) and apply grease to each bearing area through the zerk fitting located on each side of the top plate just to the front of the bracket pins, (No-Slack® II 6000 & 7000 Series have two fittings on each side). Continue to apply grease until it is coming out of the back of the bearings. It may be necessary to raise the rear of the fifth wheel with a pry bar to open up the pocket slightly and allow the grease to flow through. A substantial amount of grease may be required initially to fill the reservoir. Tilt the wheel to the rear (rear of the wheel down) and repeat the procedure. Rock the wheel back and forth several times to spread the grease over the bearing surface

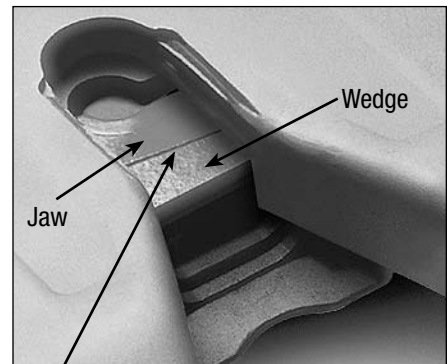
2. Lubricate the fifth wheel prior to opening and closing. Referring to Figures 1-3, grease the jaw and wedge top and bottom. Separate the jaw and wedge with a large screwdriver and distribute the grease along the full length of the jaw and wedge mating surfaces (figure 1). Open and close the fifth wheel several times to further distribute the grease.

Fontaine suggests the use of a Moly based lubricant such as Mobil grease Molly 50 or equivalent when applying lubricant to the locking jaw and wedge. Lightly oil other moving parts in the fifth wheel.

3. For sliding Fifth Wheels, lightly grease the locking mechanism. Operate the mechanism (air or manual) several times to ensure it is functioning properly.

4. Grease the top plate. Spread grease all over the mating surface of the top plate. Be sure the grease pockets built into the top plates are full of grease.

FIGURE 1



Separate Jaw and Wedge with screw driver here - grease full length.

FIGURE 2 – NO-SLACK® II (6000/7000)
Grease all moving parts (arrows)

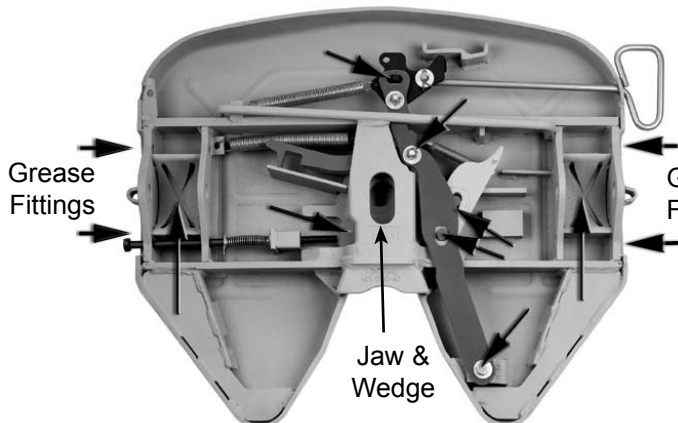


FIGURE 3 – NO-SLACK® (5092)
Grease all moving parts (arrows)

