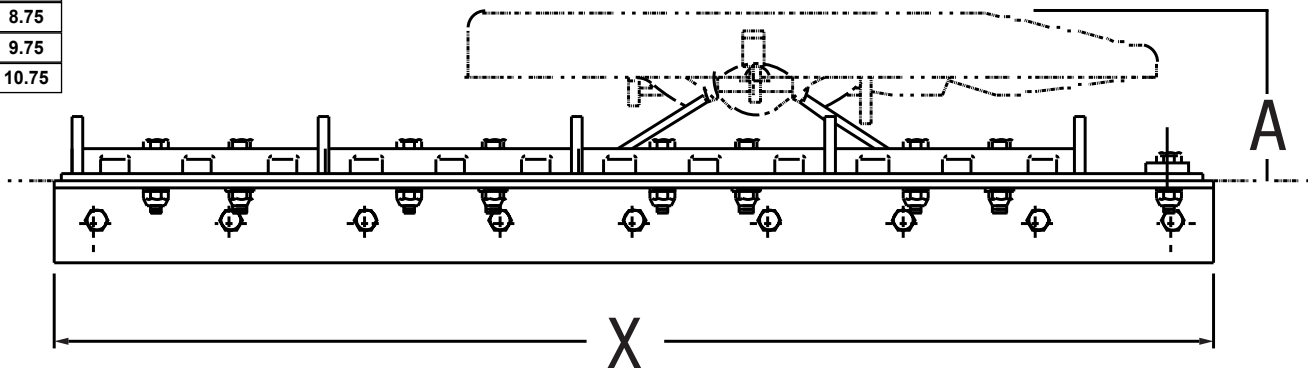


TECHNICAL BULLETIN

TB-018 • March 1999

How To Measure Your Fifth Wheel
(Air Slide Shown)

A
6.75
7.75
8.75
9.75
10.75



The installed height of all Fontaine models is measured from the top of the truck frame to the top of the fifth wheel. For standard models dimension “A” is a part of the model number. For example, if dimension “A” in this diagram is 7.75 inches, it would appear in the model number as 7750 (Example: SL6AWB**7750**24).

To determine the length of travel on a standard sliding fifth wheel, measure the slide rail and deduct 30 inches. For example, if dimension “X” above measures 54 inches, deduct 30 inches, leaving 24 inches of actual slide travel. This dimension is also a part of the model number. For example, if dimension “X” in this diagram is 24 inches, it would appear at the end of the complete model number (Example: SL6AWB7750**24**).

Note: For the length of travel for X-tra™ Heavy Duty Models deduct 42 inches for the “X” dimension.

It is important that your fifth wheel assembly is properly selected for your application. See LT-076 *Application Guide* for application tips.