

New Fontaine **6000 NWB**

# The Lightest steel fifth wheel assembly in the industry



Vertical Load Rating:  
**50,000 lbs**

Drawbar Pull Rating:  
**150,000 lbs**

- New Fontaine® 6000 Series Fifth Wheel cuts weight without cutting performance or load rating
- Proven design made possible by Finite Element Analysis technology and strategic placement of high strength alloy steel
- 6000 Series No-Slack® fifth wheel combined with NWB mounting bracket is approximately 60 lbs lighter with no reduction in load ratings
- Same legendary No-Slack® locking technology with no change to locking mechanism or components
- Lock automatically self-adjusts to the trailer kingpin for a smoother ride, lower maintenance costs and longer component life



If you're not running Fontaine, what are you **weighting** for?



Competitor A

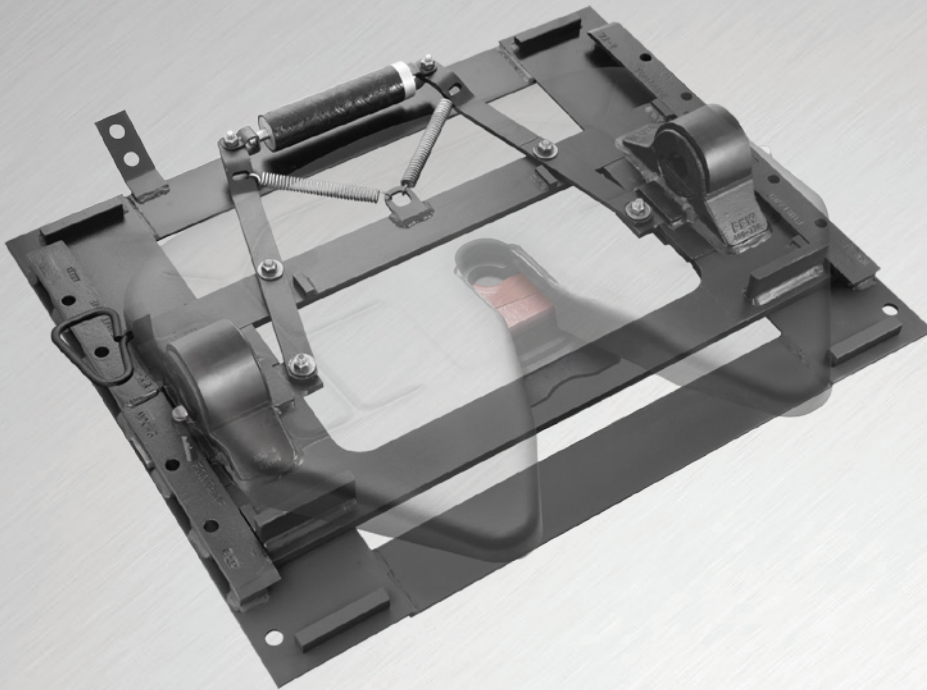
Fontaine SL6NWB675012

Competitor B



# New Fontaine 6000 NWB Air Slide

## LIGHT in weight **STRONG** in performance



No-Slack® 6000  
50,000 pounds vertical load

Part Number	Fifth Wheel Height	Slide Length	Weight
SL6NWB675012	6-3/4"	12"	372 lbs
SL6NWB675016		16"	379 lbs
SL6NWB675024		24"	393 lbs
SL6NWB775012	7-3/4"	12"	378 lbs
SL6NWB775016		16"	385 lbs
SL6NWB775024		24"	399 lbs
SL6NWB875012	8-3/4"	12"	383 lbs
SL6NWB875016		16"	390 lbs
SL6NWB875024		24"	404 lbs

Typical left hand model shown in chart.

### Options

- Right hand (replace **SL** with **SR**)
- Air actuated (replace **SL** with **AA**): add 5 lbs

### FEATURES

- Innovative weight saving design makes the NWB the lightest steel slide system available— helps fleets offset heavy emission system components
- 40-70 lbs lighter than competitive slide systems
- Improved fuel economy and low up-charge make the NWB very attractive to weight-sensitive, cost-conscious fleets
- Computer-aided design features a smaller footprint with steel reinforcement for strength and durability
- New greaseless bracket liner provides consistent lubrication, reduces wear (no metal-to-metal contact) and cuts maintenance costs
- Dual durometer two-piece bushing for improved shock absorption and easier maintenance

Scan this code to learn more about Fontaine 6000 Series weight savings



**FONTAINE**<sup>®</sup>  
FIFTH WHEEL

www.fifthwheel.com • 800-874-9780 • Email: parts@fifthwheel.com

\* See your Fontaine Representative for application details or refer to Application Guide (LT-076) on website

©2017 Fontaine Fifth Wheel • LT-242 • September 2017 R2

